



**SPRINGFIELD
ARMORY**

1911 DS Manual

Operation & Safety Manual

IMPORTANT SAFETY INFORMATION INSIDE

Read this manual before handling this firearm. Keep this manual with your firearm and review it before each use.

Do not allow others to handle or fire your firearm until they have read this manual.

Transfer this manual with the firearm upon ownership change.

THIS MANUAL IS FOR 1911 DS FIREARMS ONLY.

Be a responsible firearm owner. Use it safely, store it securely, and always transfer a firearm responsibly and legally.

READ & UNDERSTAND THIS MANUAL

BEFORE LOADING AND FIRING THIS FIREARM, READ AND UNDERSTAND THE INFORMATION IN THIS MANUAL.

This is an auto loading firearm. It is immediately loaded and ready to fire again after each shot until all cartridges loaded in magazine have been fired. The firearm is able to fire both with and without the magazine in place. **REMOVING THE MAGAZINE DOES NOT UNLOAD THE FIREARM NOR DOES IT ENGAGE A SAFETY. THE FIREARM IS NOT UNLOADED UNTIL THE MAGAZINE IS REMOVED AND THE CHAMBER IS EMPTY.**

ABOUT YOUR OWNER'S MANUAL

This is an instruction booklet on how to operate this firearm with some basic safe handling rules. It does not attempt to provide information about using a firearm to defend yourself, how to hunt, or for competitive or target shooting. It is important to receive training from a competent firearms instructor prior to engaging in any of these activities. The National Rifle Association, your local or state authorities, or your firearm dealer may provide information regarding available instructors or training courses. If you have a license to carry concealed, never do so without prior instruction from a certified instructor. Using a firearm for self defense is a complex subject with dangers and risks for which you must be properly trained. Every safety rule has a reason behind it - read the rules carefully and understand why each is important for safety. It is recommended that every person receive instructions from a competent firearms instructor before handling this or any other firearm.

Know and obey all firearms laws and regulations, which may vary from city to city and state to state. Do not give a firearm to someone who is not allowed to own a firearm or who may use it for a criminal purpose.

USED FIREARMS

If you purchased this firearm as a used firearm, have it inspected and tested by a competent pistolsmith before you use it. Guns are sometimes altered and may require repair before they can be used safely.

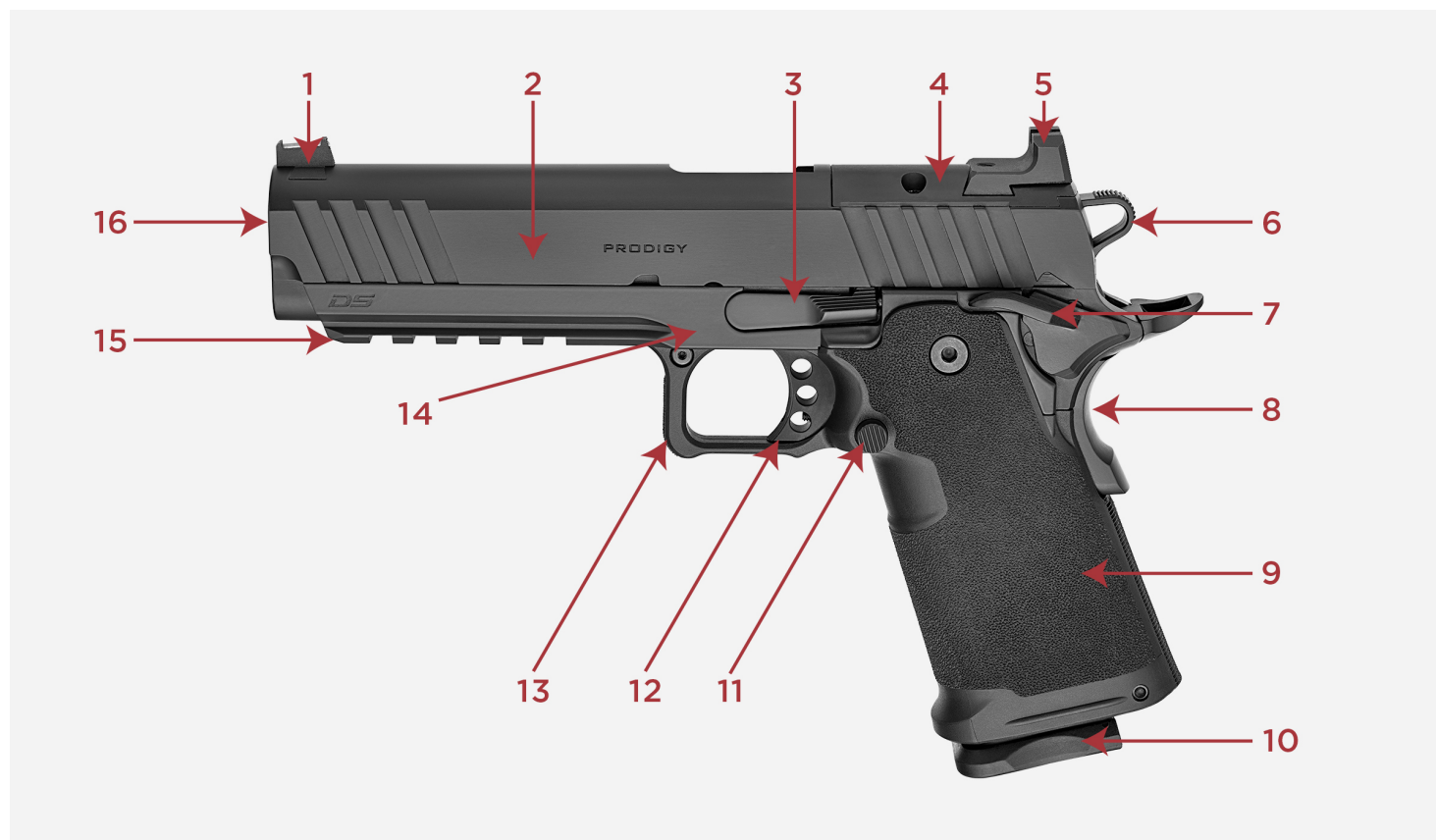
STORE FIREARMS SAFELY IN THE HOME

Store firearms unloaded, locked and in a secure place. Obey firearm storage laws. Store firearms and ammunition separately. Because your children may be in other homes where firearms are stored, you should show them what to do if they see or find

a firearm by showing them the Eddie Eagle video available from the NRA by calling (703) 267-1000.

OBEY ALL FIREARMS LAWS WHEN BUYING AND SELLING FIREARMS. NEVER BUY A GUN INTENDING TO TRANSFER IT TO SOMEONE WHO IS PROHIBITED FROM OWNING FIREARMS. NEVER EVER BE A "STRAW PURCHASER."

KNOW YOUR PISTOL



PG4-KnowYourFirearm

- 1 Fiber Optic Front Sight
- 2 Slide
- 3 Slide Stop Lever
- 4 AOS Cover Plate
- 5 U-Notch Rear Sight
- 6 Delta Hammer
- 7 Ambidextrous Thumb Safety

8 Beavertail Grip Safety

9 Grips

10 Magazine

11 Magazine Release

12 Trigger

13 Trigger Guard

14 Frame

15 Light Rail or Accessory Rail

16 Bull Barrel

SAFETY RULES

READ AND UNDERSTAND THESE SAFETY RULES

Be A Safe Shooter.

ACCIDENT (ak´ si dent) N. 1. An unintentional or unexpected happening that is undesirable or unfortunate, especially one resulting in injury, damage, harm or loss.

Don't be the cause of an accident.

A responsible firearm owner is safety minded and always handles firearms in a safe manner by following the basic rules of safe shooting and by using common sense in the handling of a firearm.

Store firearms unloaded, locked, and in a secure place. Keep keys for locks separate from lock and in a secure place away from children. Keep firearms out of reach of children. You are responsible for children's safety.

Be A Responsible Gun Owner.

- **Treat all firearms as if they are loaded at all times.**
-

- Never point a firearm at any person or thing you do not intend to shoot.

-
- Keep your finger off the trigger until you are on target and have made the DECISION to fire.
-

- Be sure you have positively identified your target.
-

- **ALWAYS KEEP THE MUZZLE POINTED IN A SAFE DIRECTION.**

- **Do not drop your firearm.** Make sure you maintain control of your firearm at all times. **If it falls, it may fire.** If you do drop it, unload it and examine it to be sure it works correctly. Do not attempt to fire it again until you have completed this safety check.
-

- Never put your hand over the muzzle of the firearm.
-

- Keep your finger(s) off the trigger and out of the trigger guard until you are actually aiming at your target, and made the decision to fire.
-

- Under no circumstances should the owner/purchaser of this firearm allow it to come into possession of or be handled by small children or a mentally handicapped individual.
-

- **DO NOT COVER THE EJECTION PORT WITH YOUR HANDS WHEN LOADING/UNLOADING YOUR FIREARM.**

- **TREAT EVERY GUN AS IF IT IS LOADED... ALL THE TIME.**

BE A RESPONSIBLE FIREARM OWNER!

- Never rely on a firearm's "safety features" to protect you from unsafe firearm handling. A safety is only a mechanical device, not a substitute for common sense.
-

- Keep your finger off the trigger until you are on target and have made the DECISION to fire.

-
- Be sure of your target and backstop before you shoot. Ask yourself what your bullet will hit if it misses or goes through the target.
-
- Before shooting, be sure the barrel is clear of obstructions, including excessive oil and grease.
-
- Do not let water, snow, mud or other materials enter the barrel.
-
- Do not pull a firearm toward you by the muzzle.
-
- Always hold your firearm so you control the direction of its muzzle in case you fall or stumble.
-
- **ALWAYS KEEP THE MUZZLE POINTED IN A SAFE DIRECTION.**
-
- If anything does get into the barrel, remove cartridges, and clean bore immediately before attempting to shoot. Obstructed barrels can burst and injure you and/or bystanders.
-
- Maintain possession of your firearm at all times when you are on the firing range or during target practice. **DO NOT ALLOW OTHERS TO HANDLE YOUR FIREARM UNLESS THAT PERSON IS BEING INSTRUCTED OR TRAINED.**
-
- **DO NOT COVER THE EJECTION PORT WITH YOUR HANDS WHEN LOADING/UNLOADING YOUR FIREARM.**



WARNING: The firearm is a dangerous weapon if not handled properly.

BE A SAFE FIREARM OWNER!

- **ALWAYS KEEP THE MUZZLE POINTED IN A SAFE DIRECTION.**

-
- Firearms and alcohol or drugs do not mix. Do not take them before or during shooting activities. Your vision, coordination and judgment could be impaired, making firearm handling unsafe.
-
- When taking medication, seek a doctor's advice to be sure you can operate and handle your firearm safely.
-
- Receive training from a competent firearms instructor before using any firearm.
-
- Before attempting to shoot, practice operations by using snap caps (dummy rounds) . Become familiar with the safety features, trigger control, and handling of the firearm.
-
- Make sure you maintain control of your firearm at all times.
-
- **Always keep and carry your firearm with an empty chamber until you intend to shoot, so your firearm cannot be fired unintentionally.**
-
- Firearms should be unloaded when not in use. This means both the chamber and magazine are empty.
-
- When transferring a firearm by hand, always open the action and check to assure that it is unloaded prior to handing it over to someone.
-
- Never take anyone's word that a firearm is unloaded. When receiving a firearm, always open the action and check that it is unloaded.
-
- Do not try to change your firearm's trigger pull, because alterations of trigger pull usually affect sear engagement and might cause accidental firing.
-
- Never use a firearm that jams or fails to function properly. Should this occur, return to Springfield, Inc. for warranty/repair.
-
- If your shot sounds weak or underpowered, it could mean a bullet is in the chamber/bore . The gun should be immediately unloaded and the chamber/bore

checked for obstructions before refiring.

- **DO NOT "HORSEPLAY"** with a firearm. Your firearm cannot think...but you can. Firearm safety depends on you.



IMPORTANT WARNING: There is no safe way to discharge a firearm in a home or apartment. Bullets will go through walls, floors, furniture, and appliances and still cause serious injury or death to persons in the house, next door, or outside. Accidental discharges indoors ALWAYS result in property damage or personal injury.



WARNING: When you squeeze the trigger, you must expect the firearm to fire. You must take full responsibility for firing it. Your care can avoid accidental discharge and thereby avoid accidental injury and death.

READ THESE RULES!

- Load firearm only when on range preparing to fire. Unload it before leaving range.

- **Treat every firearm as if it is loaded... all the time!**

- Load and unload with the firearm muzzle pointed in a safe direction.

- Be certain firearm is unloaded before cleaning.

- Completely unload your firearm before storing, travelling, standing it against an object, laying it down, entering a house, car, truck, boat, RV/camper, building, or handing it to someone.

- **Never leave a loaded firearm unattended.**

- Tragedy may result if a child finds your firearm and plays with it. Keep every firearm secure. Children do not believe firearms can kill.

-
- Store firearms and ammunition separately. Both should be placed beyond children's reach.
-

- Obey all laws regarding the storage and security of firearms in the home.
-

- Know and obey the laws regarding the transportation and carrying of firearms.
-

- **Never carry any firearm, loaded or unloaded, in your pocket, purse or tucked in your belt or waistband. Use a firearm case or a proper holster.**
-

- **Old or reloaded ammunition may cause damage to the firearm and/or injure you or others. Use only clean, dry, original, high-quality, commercially manufactured ammunition. Using reloaded ammunition may void the warranty.**
-

- **ALWAYS REMEMBER, REMOVING THE MAGAZINE DOES NOT UNLOAD THE PISTOL NOR DOES IT ENGAGE A SAFETY.**
-

- **ALWAYS REMEMBER, THE PISTOL IS NOT UNLOADED UNTIL THE MAGAZINE IS REMOVED AND THE CHAMBER IS EMPTY.**
-

- **ALWAYS REMEMBER, THIS FIREARM IS ABLE TO FIRE WITH OR WITHOUT THE MAGAZINE IN PLACE.**
-

- **DO NOT COVER THE EJECTION PORT WITH YOUR HANDS WHEN LOADING/UNLOADING YOUR FIREARM.**
-

TREAT EVERY FIREARM AS IF IT IS LOADED... ALL THE TIME!

- Many ammunition identifications sound similar. Make sure you use the right caliber/size ammunition in your firearm.
-

- If firearm fails to fire when the trigger is pulled, keep it pointed at the target for at least 30 seconds. Remove the magazine before opening the action. Remove the cartridge from the chamber. Sometimes slow primer ignition will cause a "hang fire" and the cartridge will go off after a short pause.

-
- When group firing, always appoint someone to maintain safety control. Obey his/her commands immediately and completely.
-
- While shooter is loading, firing, and unloading, spectators need to remain behind shooter.
-
- **Always wear protective glasses when shooting.**
-
- **Always wear hearing protection when shooting.**
-
- Never shoot at hard flat surfaces or water; bullets will ricochet unpredictably.
-
- Do not alter or modify your firearm.
-
- Have your firearm serviced regularly by a qualified pistolsmith.
-
- Discharging firearms in poorly ventilated areas, cleaning firearms, or handling ammunition may result in exposure to lead and other substances known to cause birth defects, reproductive harm, cancer and other serious physical injury. Have adequate ventilation at all times. Wash hands thoroughly after firing your firearm, after cleaning your firearm, or whenever you have handled ammunition.
-
- Always use quality ammunition.
-
- **ALWAYS KEEP THE MUZZLE POINTED IN A SAFE DIRECTION.**
-
- **DO NOT COVER THE EJECTION PORT WITH YOUR HANDS WHEN LOADING/UNLOADING YOUR FIREARM.**

HANDLING

We want you to be a safe, satisfied shooter.

Before attempting to load this firearm with live ammunition, follow the sequence of operations shown here without ammunition or with snap caps. By practicing operations with snap caps, you will become familiar with:

- Safety features
-

- Trigger control (snap caps)
-

- Handling of your firearm.

As a result you will be a safer, more confident shooter when aiming at your first target.

NOTE: Extensively dry firing can accelerate component wear/stress. Use snap caps if dry firing on a regular basis.

Write, call or email us concerning any items you do not understand and/or which might relate to your safety and the safe operations of any of our products.

Springfield, Inc.

Consumer Safety Department

420 West Main Street Geneseo, IL 61254

(309) 944-5631 1-800-680-6866

cs@springfield-armory.com



WARNING: Always wear eye and ear protection when using any firearm.



WARNING: When you squeeze the trigger, you must expect the firearm to fire. You must take full responsibility for firing it. Your care can avoid accidental discharge and thereby avoid accidental injury and death.

SAFETY DEVICES

MANUAL SAFETY

The 1911 DS pistol is equipped with a manually operated ambidextrous thumb safety. It is located on the rear left and right side of the pistol just below the hammer (Figure 12-1).

To engage the safety in the on “safe” position, push the “safety” lever fully upward into the recess located in the rearward portion of the slide (Figure 12-2). The safety cannot be placed in the on safe position unless the hammer is “cocked”.

To disengage the manual safety for firing press the safety lever completely down. The pistol is now in the “off safe” condition and will now fire with a press of the trigger.



Figure 12-1



Figure 12-2

GRIP SAFETY

The grip safety is located at the top rear of the firearm grip (Figure 12-3) . The grip safety must be depressed to be deactivated. Unless the grip safety is properly depressed and deactivated, the firearm will not fire. The grip safety is designed to be deactivated only when the firearm is properly gripped in the firing position. To fire the firearm you must properly hold the firearm, and depress the grip safety, and then pull the trigger. To assure the most reliable function, it is necessary to properly grip the firearm.



Figure 12-3



WARNING: Even though the chamber is empty there may be cartridges in the magazine. The firearm is not completely unloaded until the magazine is removed and the chamber is empty.

LOADED CHAMBER INDICATOR

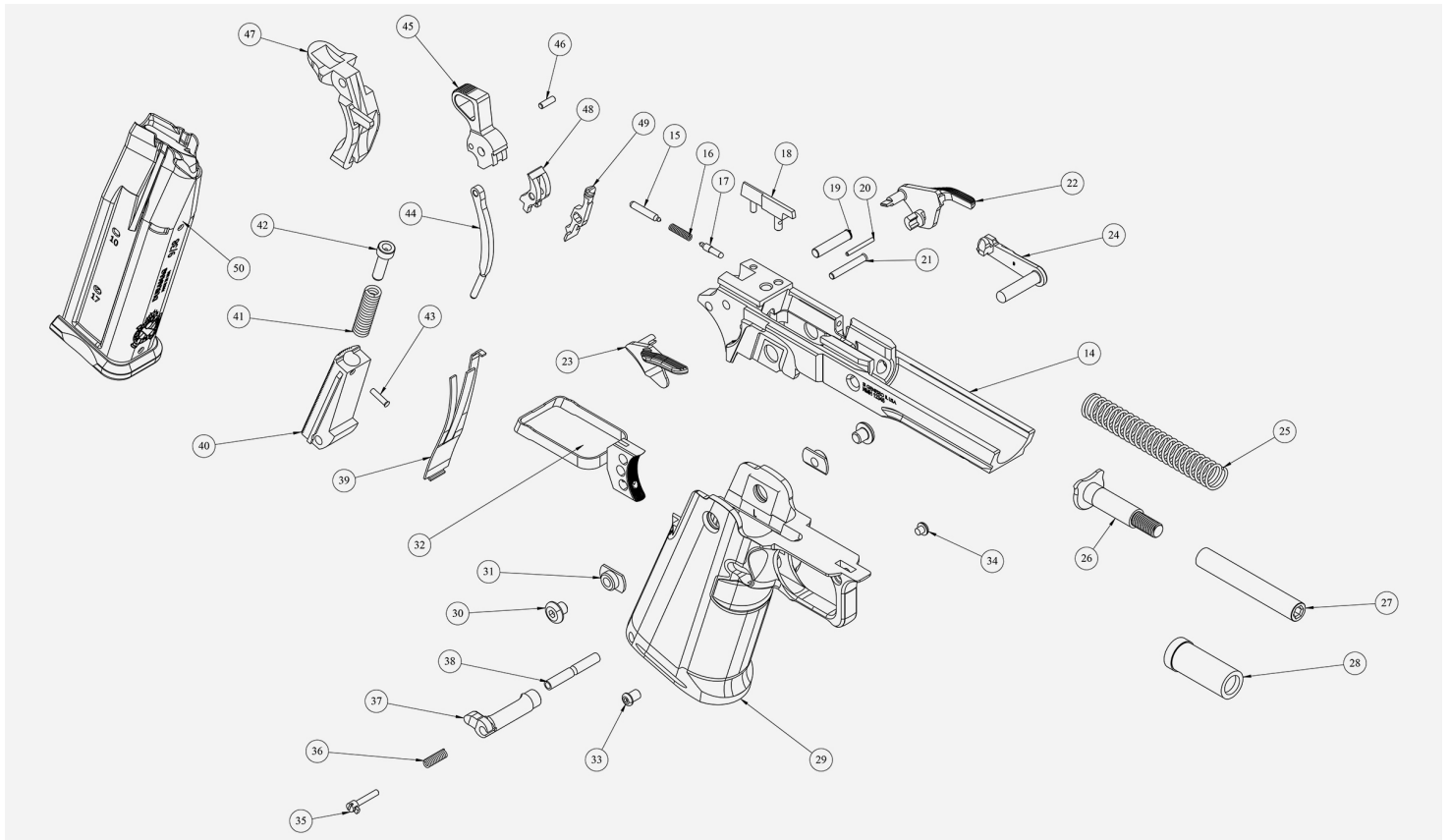
NEVER TOUCH THE TRIGGER WHEN LOADING OR UNLOADING THE FIREARM.

The 1911 DS has a Loaded Chamber Indicator. The LCI is a port located on top of the chamber at the aft end of the barrel (Figure 13-1). The port allows one to observe if a cartridge is in the chamber. When a cartridge is in the chamber the cartridge case can be clearly seen.



Figure 13-1

1911 DS FRAME PARTS LIST - 4.25"

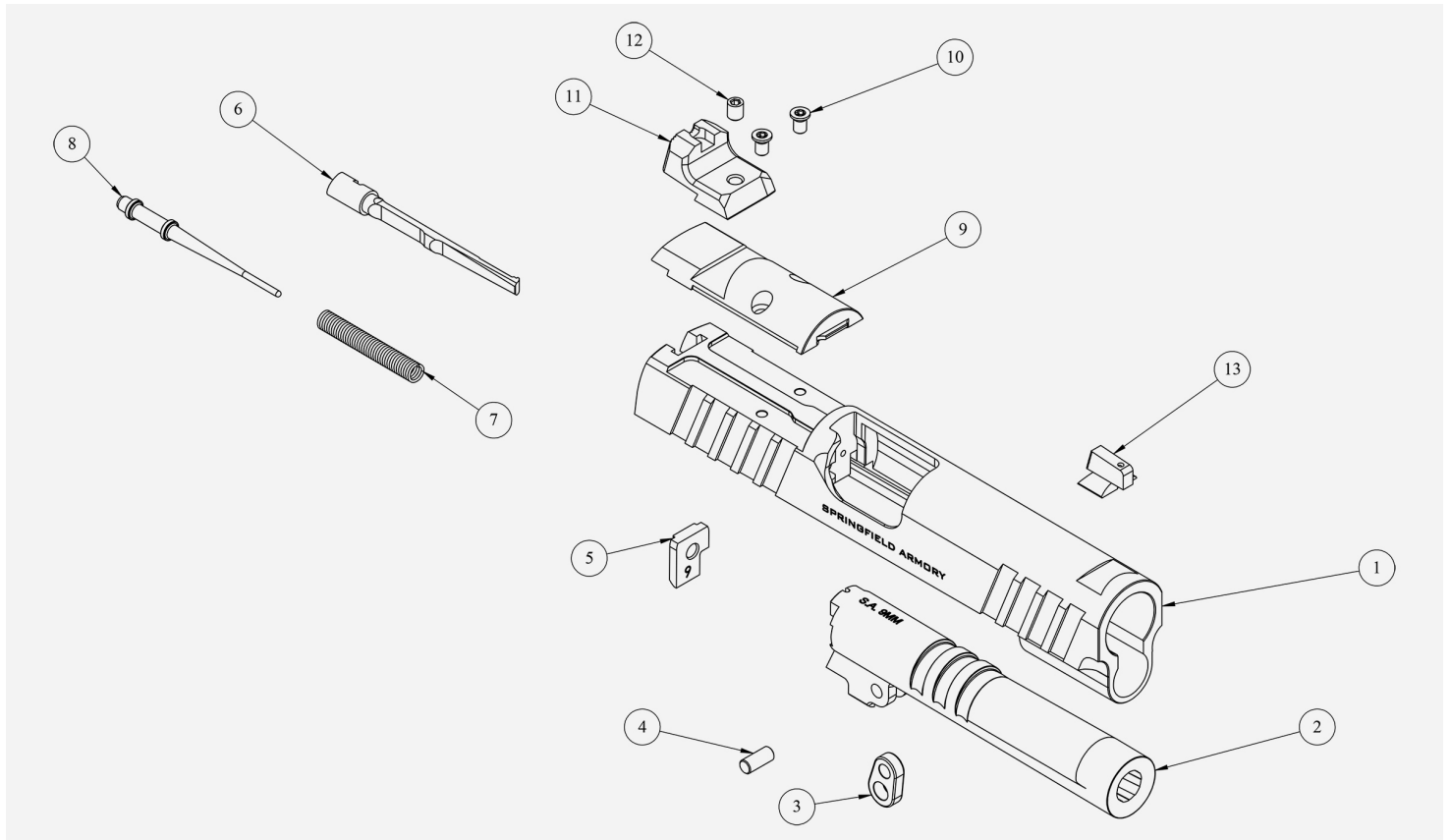


Pg33-425ProdigyFrame

- 14** Frame
- 15** Safety Plunger
- 16** Thumb Safety/Slide Stop Spring
- 17** Slide Stop Plunger
- 18** Extended 9mm Ejector
- 19** Ambi Hammer Pin
- 20** Ejector Pin
- 21** Ambi Sear Pin
- 22** Thumb Safety - Left
- 23** Thumb Safety - Right
- 24** Slide Stop
- 25** Recoil Spring

- 26** Recoil Spring Guide Head
- 27** Recoil Spring Guide Rod
- 28** Reverse Plug
- 29** Hand Grip
- 30** Grip Bushing Screw
- 31** Grip Bushing
- 32** Trigger Assembly
- 33** Trigger Guard Sleeve
- 34** Trigger Guard Sleeve Screw
- 35** Magazine Catch Lock
- 36** Magazine Catch Spring
- 37** Magazine Catch
- 38** Mainspring Housing Pin
- 39** Sear Spring
- 40** Main Spring Housing
- 41** Mainspring
- 42** Mainspring Cap
- 43** Mainspring Cap Pin
- 44** Hammer Strut
- 45** Delta Hammer
- 46** Hammer Strut Pin
- 47** Beavertail Grip Safety
- 48** Sear
- 49** Disconnecter

1911 DS SLIDE PARTS LIST - 4.25"



Pg35-425ProdigySlide

- 1 Slide
- 2 9mm Ramped Bull Barrel, SS 4.25"
- 3 Barrel Link
- 4 Barrel Link Pin
- 5 A-Cut Firing Pin Stop
- 6 Extractor
- 7 Firing Pin Spring
- 8 Titanium Firing Pin
- 9 AOS Plate

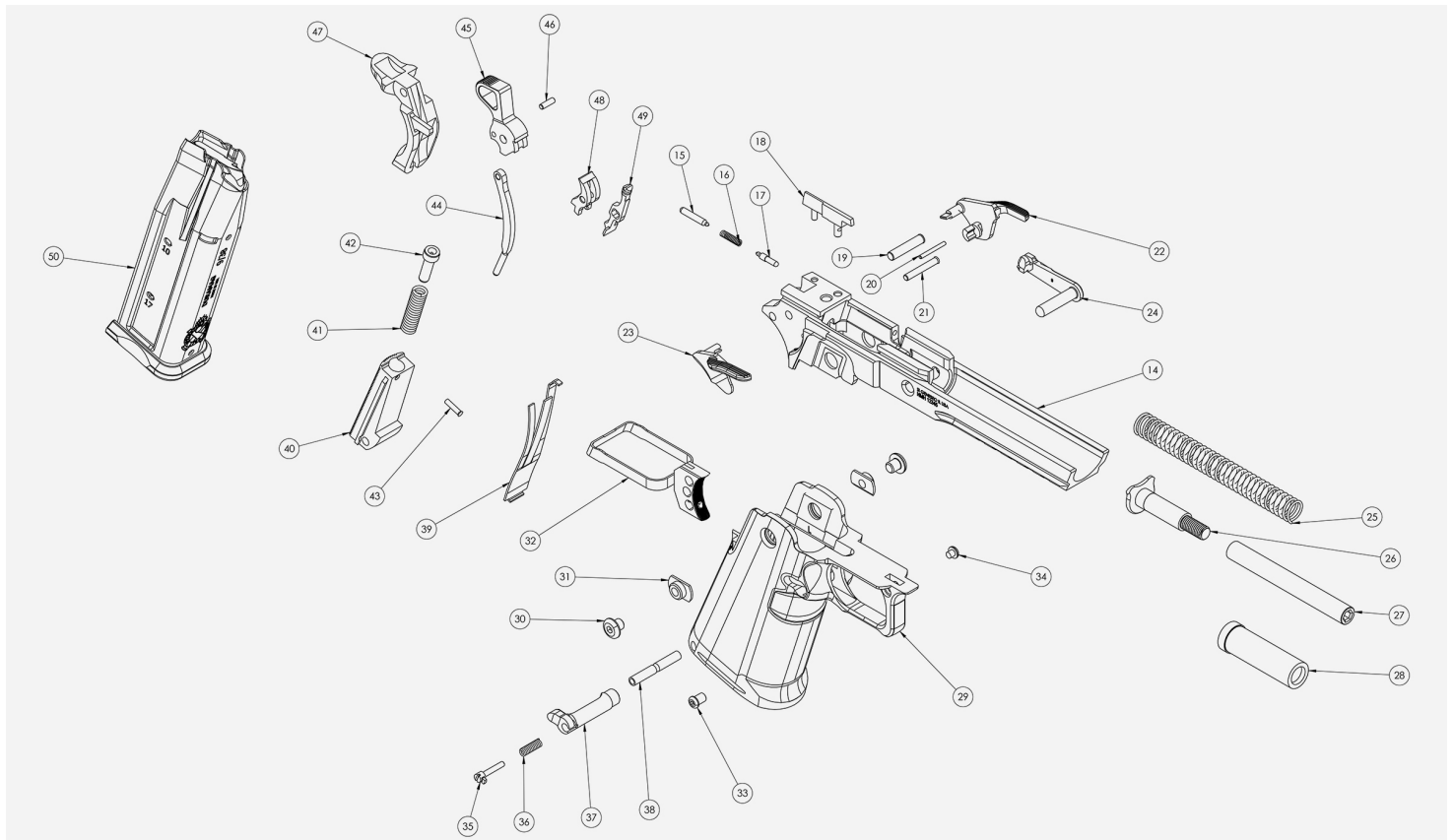
10 OSP PLate Screw (2)

11 U-Notch Rear Sight

12 Rear Sight Set Screw

13 Front Sight

1911 DS FRAME PARTS LIST - 5"



Pg37-5ProdigyFrame

14 Frame

15 Safety Plunger

16 Thumb Safety / Slide Stop Spring

17 Slide Stop Plunger

18 Extended 9mm Ejector

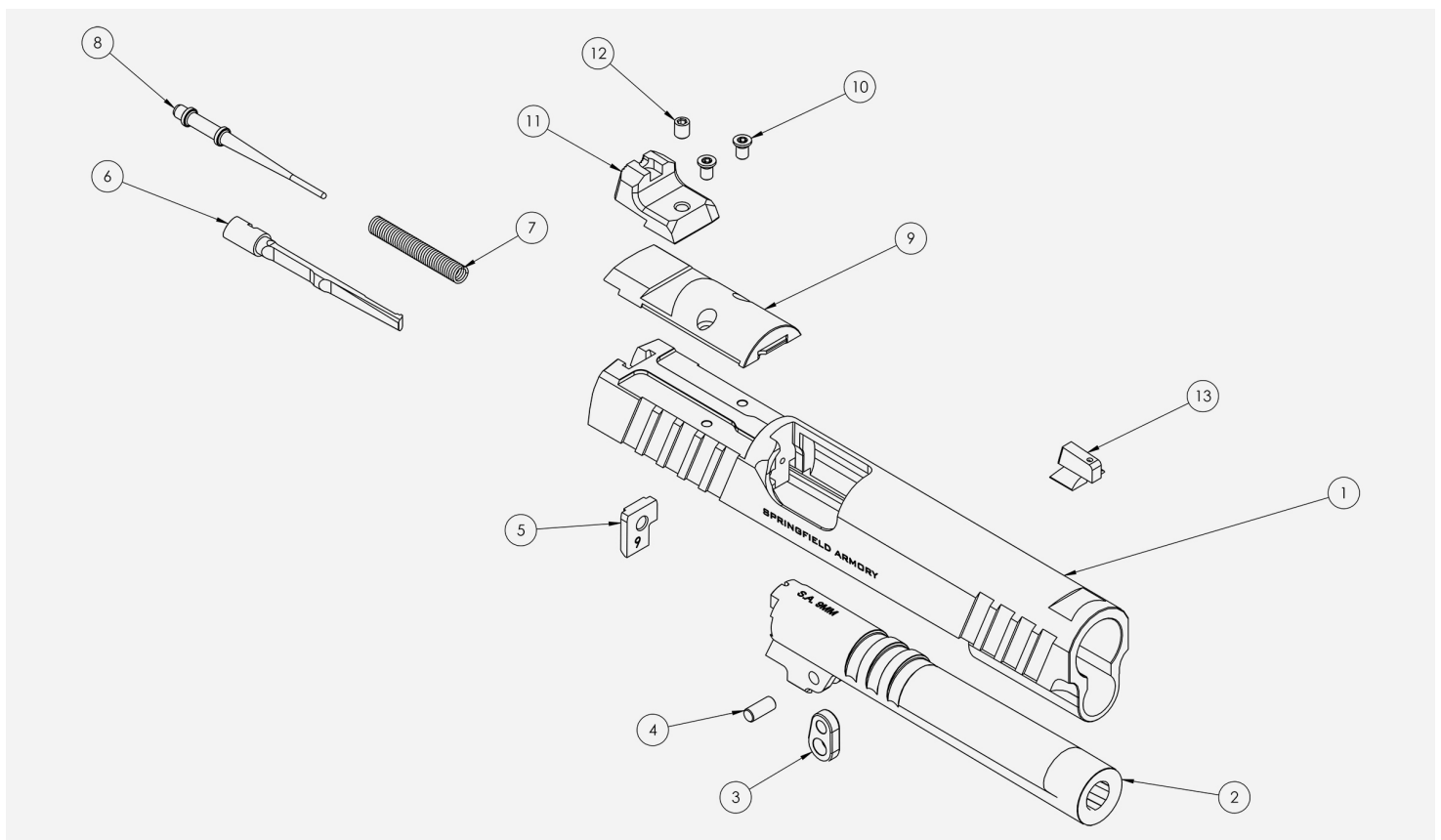
19 Ambi Hammer Pin

20 Ejector Pin

- 21** Ambi Sear Pin
- 22** Thumb Safety - Left
- 23** Thumb Safety - Right
- 24** Slide Stop
- 25** Recoil Spring
- 26** Recoil Spring Guide Head
- 27** Recoil Spring Guide Rod
- 28** Reverse Plug
- 29** Hand Grip
- 30** Grip Bushing Screw
- 31** Grip Bushing
- 32** Trigger Assembly
- 33** Trigger Guard Sleeve
- 34** Trigger Guard Sleeve Screw
- 35** Magazine Catch
- 36** Magazine Catch Spring
- 37** Magazine Catch
- 38** Mainspring Housing Pin
- 39** Sear Spring
- 40** Main Spring Housing
- 41** Mainspring
- 42** Mainspring Cap
- 43** Mainspring Cap Pin
- 44** Hammer Strut

- 45** Delta Hammer
- 46** Hammer Strut Pin
- 47** Beavertail Grip Safety
- 48** Sear
- 49** Disconnecter
- 50** 17-Round 9mm Magazine

1911 DS SLIDE PARTS LIST - 5"



Pg39-5ProdigySlide

- 1** Slide
- 2** 9mm Ramped Barrel, SS 5"
- 3** Barrel Link
- 4** Barrel Link Pin
- 5** A-Cut Firing Pin Stop

- 6 Extractor
- 7 Firing Pin Spring
- 8 Titanium Firing Pin
- 9 AOS Plate
- 10 AOS Plate Screw (2)
- 11 U-Notch Rear Sight
- 12 Rear Sight Set Screw
- 13 Front Sight

AOS (AGENCY OPTIC SYSTEM) PLATES & INSTALLATION

The 1911 DS is an optics ready pistol meaning it is configured to accept a variety of red dot sighting systems. This is accomplished with interchangeable optics plates specific to individual red dot sights. Refer to our website for specific sight fitments.

- **WARNING: Before performing any sight plate installation completely unload the pistol ([See Unloading/Clearing Section](#)).**
-

- **WARNING: Use of the incorrect screws or improper installation could result in bodily injury.**

1. Unload pistol and verify its safe condition. Remove the slide assembly as described in the field stripping section ([See Field Stripping Section](#)) and set the frame assembly aside. Do not attempt to change/remove plates with the pistol assembled.

2. Using a T10 six point key remove the two 6-48 screws attaching the “fixed sight plate” to the slide (Figure 28-1).

3. Lift the front of the plate to remove (Figure 28-2)

-
4. Choose the correct plate for your sight. (Plates are available for most popular sights directly from SA). Verify the sight screws do not protrude from the bottom of the plate. If they do, shorten the screws or replace them with ones of the correct length. Using screws that are too long will not anchor the sight properly and may damage the plate. Remove the sight from the plate. Tilt the rear of the plate downward at a 30 degree angle and engage the plate with the rear of the plate recess feature of the slide (Figure 28-3).

 5. Rotate the front of the plate downward onto the plate recess of the slide. **NOTE: Never force the plate downward, when properly aligned the plate will “drop” into place without any force.**

 6. Install the two provided 6-48 screws with the T-10 key, meet but do not exceed 25 in-lb of torque. If you choose to use additional thread locking compound, use sparingly and **ON SCREWS ONLY**. Using too much thread locker can foul mechanism.

 7. Install the red dot sight to the plate using the manufacturers recommendations/directions.

 8. Reinstall the slide assembly to the frame ([See Reassembly Section](#)). Installation is now complete.



Figure 28-1



Figure 28-2



Figure 28-3

LOADING/PREPARING TO FIRE

1. Place the EMPTY magazine in the magazine well, located in bottom of firearm grip. Make sure the magazine is EMPTY or you will inadvertently load the firearm. Push firmly enough on bottom of magazine to make sure it is properly seated. A distinctive “click” will confirm the magazine has been properly inserted. Pull the slide completely to the rear until it locks back.

2. Depress magazine release and remove magazine.

3. Ensure that you are using the proper caliber ammunition for your firearm. Place rim of first cartridge on front of follower (See Figure 16) then push the cartridge down on the follower and slide the cartridge under the lips of the magazine completely to the rear. Load successive rounds by pushing cartridge down on previously loaded cartridge. Use only clean, dry, original, high-quality, commercially manufactured ammunition. Using reloaded ammunition may void warranty.

4. **POINT FIREARM IN A SAFE DIRECTION AND KEEP FINGER OFF TRIGGER.** Re-insert **LOADED** magazine into magazine well, located in bottom of firearm grip . Push firmly enough on bottom of magazine to make sure it is properly seated.

5. Depress the slide stop lever to allow slide to move forward and load a cartridge from the magazine into the chamber.

6. Apply manual safety upwards to safe position. **CAUTION: The firearm is now ready to fire.**

NOTE: An alternative method to load the cartridge into the chamber is to pull the slide completely to the rear and in one motion quickly release it, allowing the slide to slam forward unimpeded under its own force. (Do not hold the slide as it moves forward. “Riding the slide” in this manner can cause cartridge to jam or misfeed).



Figure 16-1



WARNING: Do not slam or forcefully jam magazine into magazine well.



WARNING: Never load cartridge by hand directly into the chamber.



WARNING: Do not cover the ejection port with your hand when loading/unloading your firearm



WARNING: Never touch the trigger when loading or unloading the firearm.

FIRING

Point firearm in a safe direction at all times.

If you have never fired a firearm before, follow the sequence of operations shown here without ammunition or with snap caps. Then load only one cartridge into the magazine for your first live ammunition firing.

1. **POINT FIREARM IN A SAFE DIRECTION WHILE KEEPING YOUR FINGER OFF OF THE TRIGGER.**

2. Load a cartridge into chamber from magazine following the procedure described on page 16 and lift manual safety to the “on safe” position).

3. Grasp grip of firearm firmly. (A loose grip may cause the firearm to malfunction.)
CAUTION: THE FIREARM IS NOW READY TO FIRE. BE PREPARED FOR NOISE AND RECOIL WHEN FIREARM FIRES.

4. Aim firearm at target by aligning sights.

5. Lower manual safety to fire position. Now lightly place finger on trigger, and slowly squeeze trigger to fire the firearm. Spent cartridge is expelled up and to the right.

6. Pistol will automatically be ready to fire again after each shot until all cartridges loaded in magazine have been fired.

7. When last cartridge has been fired, slide will lock open and remain to rear.

This is an auto loading firearm. It is immediately loaded and ready to fire again after each shot until all cartridges loaded in magazine have been fired. The firearm is able to fire both with and without the magazine in place. **REMOVING THE MAGAZINE DOES NOT UNLOAD THIS FIREARM NOR DOES IT ENGAGE A SAFETY. THIS FIREARM IS NOT UNLOADED UNTIL THE MAGAZINE IS REMOVED AND THE CHAMBER IS EMPTY.**



WARNING: Loading the 1911 DS by manually inserting a round in the chamber is improper and may cause accidental discharge and possible damage to the extractor. Always load the firearm using the magazine. When loading the firearm, always point the muzzle in a safe direction.

UNLOADING / CLEARING

If slide is already in the “locked back” position:

1. Press magazine release button to remove magazine.

2. From above and rear, carefully inspect chamber to make sure it is empty (See Figure 18).

When magazine has been removed and when chamber is empty, a firearm lock can be installed ([See Cable Lock Section](#)) . Pistol can now be safely stored in a secure place.



Figure 18-1

If slide is forward:

1. POINT FIREARM IN SAFE DIRECTION WHILE KEEPING YOUR FINGER OFF OF THE TRIGGER.

2. Press magazine release button to remove magazine.

3. Retract the slide to eject a loaded round from the chamber. While holding slide in rearward (open) position (Figure 19-1), carefully inspect chamber making sure it is empty (Figure 19-2).

When magazine has been removed and when chamber is empty, a firearm lock can be installed ([See Cable Lock Section](#)). Pistol can now be safely stored in a secure place.



WARNING: Always have firearm pointed in a safe direction. Failure to obey safety information may result in injury to you or others.



WARNING: Do not cover the ejection port with your hand when loading/unloading your firearm



WARNING: Even though the chamber is empty there may be cartridges in the magazine. The firearm is not completely unloaded until the magazine is removed and the chamber is empty.



Figure 19-1



Figure 19-2

OPERATION OF THE HAMMER

The 1911 DS is a single-action pistol featuring an exposed three position hammer, fully cocked position, halfcocked position and lowered position . The round hammer spur is textured to provide positive control while manually cocking or lowering the hammer.

LOWERED POSITION:

1. Point gun in safe direction and ensure pistol is unloaded ([See Unloading Section](#)).

2. Grip the pistol firmly with shooting hand to maintain control.

3. Using non-shooting hand, firmly grasp hammer spur with thumb and forefinger (Figure 14-1).

4. Be prepared for hammer movement. Squeeze trigger.

5. Slowly lower hammer with thumb and forefinger until it is fully lowered (Figure 14-2).

6. Release trigger once the hammer is fully lowered. (If the trigger is released early the gun may be on the Half Cock position.)

NOTE: Always keep and carry your pistol with an empty chamber and with the hammer forward (down) until you intend to shoot, so your pistol cannot be fired unintentionally.



Figure 14-1



Figure 14-2

FULLY COCKED POSITION:

In the fully cocked position, the hammer is fully rearward (Figure 15-1). In the fully cocked position, with the manual safety in the off safe position, and with a cartridge in

the chamber, the pistol will fire by pulling the trigger.

HALF COCKED POSITION:

The half-cocked hammer position is between the dropped position and fully-cocked position (Figure 15-2). The half-cock position is designed to prevent the hammer from striking the firing pin should your thumb slip off of the hammer while cocking the hammer or lowering the hammer. **THE HALFCOCKED POSITION IS NOT A SAFETY!**



Figure 15-1



Figure 15-2



WARNING: Never lower the hammer on a loaded pistol!



CAUTION: If pistol is loaded, gun may discharge if the hammer slips from your grip during this procedure.



WARNING: DO NOT CARRY OR STORE THE PISTOL WITH THE HAMMER IN THE HALF-COCK POSITION. THE HALF-COCK POSITION IS PROVIDED ONLY AS A FAILSAFE MEANS OF CATCHING THE HAMMER SHOULD IT SLIP WHILE LOWERING THE HAMMER FROM FULL-COCK TO LOWERED POSITION OR WHEN COCKING THE PISTOL. IF THE HAMMER SHOULD SLIP WHILE THE TRIGGER IS DEPRESSED, THE HALF-COCK NOTCH WILL NOT PREVENT THE HAMMER FROM STRIKING THE FIRING PIN. KEEP YOUR FINGER OFF THE TRIGGER WHEN YOU ARE COCKING THE HAMMER. FAILURE TO FOLLOW THESE WARNINGS COULD RESULT IN SERIOUS INJURY OR DEATH.

POINT OF AIM

Point of Impact

1911 DS pistols use a “point of aim” sight picture at 25 yards (See Figure 36-1). This means that, at 25 yards, the bullet should impact the target at the point visible at the top of the front sight. Springfield, Inc. firearms are regulated to shoot point of aim, point of impact. Changing brand or type of ammunition may alter point of impact as well as shooter’s technique.



Hellcat Figure 52-1



CAUTION: Use only clean, dry, original, high-quality, commercially manufactured ammunition.

MALFUNCTION WARNING!

If cartridge hangs up, jams or binds when being chambered from magazine into chamber, do not attempt to force it into the chamber by pushing or striking slide.

DO NOT COVER THE EJECTION PORT WITH YOUR HANDS WHEN LOADING/UNLOADING YOUR FIREARM.

What to do:

- Point firearm in a safe direction while keeping your finger off of the trigger.

- Remove magazine.

- Pull back on slide and allow cartridge to fall from firearm.

- Do not cover the ejection port with your hands when loading / unloading your firearm.

- If cartridge does not fall free, pull slide back and lock it back with slide stop.

- Carefully dislodge cartridge.

- If cartridge cannot be removed, lock slide back, carefully store your firearm and magazines and take it to a pistolsmith. (USE SUPPLIED CABLE LOCK). (Figure 20)

Most failures to feed or chamber a cartridge are the result of a damaged magazine, improper firearm handling or defective ammunition.

Whatever the cause, a jammed cartridge can be a dangerous situation.



Figure 20-1



WARNING: Always have firearm pointed in a safe direction. Failure to obey safety information may result in injury to you or others.



WARNING: Always wear eye and ear protection when using any firearm.

TO ELIMINATE MALFUNCTIONS

- First try changing type/brand of ammunition and/or magazine.
-
- If changing to another type/brand of ammunition and/or magazine does not at once result in smooth feeding of cartridges from magazine to chamber, the following steps should be taken:

-
- Make certain chamber and magazine are unloaded. Magazine should be removed first. Check chamber to be sure it and magazine well are clear of cartridges.
-
- Thoroughly clean magazine, paying particular attention to removing accumulated residue.
-
- Thoroughly clean breech mechanism of firearm. Use a bristle brush and solvent to remove residue and fouling from breech face, extractor, chamber and feed ramp. ([See Care & Cleaning Section](#)).
-
- Check that magazine spring tension is adequate; the spring should hold the follower tightly against the lips of the magazine.
-
- Check that magazine lips are free of nicks and burrs and are not deformed.
-
- Remove excess oil and solvent from all cleaned components, load magazine and try firearm again.



WARNING: An obstructed, cracked, or damaged barrel should never be used and the firearm should be returned to Springfield for inspection.

FIELD STRIP

CAUTION: Never allow live ammunition in the area while you are maintaining your firearms.

NOTE: The 1911 DS pistols have full-length two-piece guide rod recoil systems.

NOTE: FIELD STRIPPING PROCEDURES ON THE 1911 DS ARE THE SAME REGARDLESS OF CALIBER.

Before performing any cleaning or maintenance, make sure the firearm is completely unloaded (this includes the magazine and chamber). WEAR EYE PROTECTION.

ALWAYS REMEMBER THE FIREARM IS ABLE TO FIRE WITH OR WITHOUT THE MAGAZINE IN PLACE.

1. POINT GUN IN SAFE DIRECTION WHILE KEEPING FINGER OFF THE TRIGGER.

2. Slide Stop Notch Figure 22-1 Unload the pistol and lock the slide to the rear by retracting the slide and lifting the slide stop lever up into the slide stop notch in the slide (Figure 22-1).

3. With the slide locked to the rear and using a 5/32 hex wrench, loosen the guide rod $\frac{1}{2}$ turn counterclockwise but do not completely unscrew the rod. **NOTE: The slide is under spring tension so maintain control for the following steps.**

4. Align the disassembly notch in the slide with the slide stop and remove the slide stop from the pistol in a right to left motion (Figure 22-2).

5. While maintaining control of the slide remove the slide assembly from the frame by moving the slide forward and off the frame rails (Figure 23-1).

6. While maintaining control of the slide remove the slide assembly from the frame by moving the slide forward and off the frame rails (Figure 23-1).

7. While maintaining control of the slide remove the slide assembly from the frame by moving the slide forward and off the frame rails (Figure 23-1).

8. Carefully as the guide rod head is under spring tension, lift and remove the guide rod head and recoil spring from the slide and spring plug (Figure 24-1).

9. Remove the reverse spring plug from its home by sliding it rearward from the recoil spring tunnel in the slide.

10. Grasp the barrel lug and lift upwards 1/8" and then slide the barrel forward and out of the slide while maintaining vertical orientation of the barrel lug (Figure 24-2).
Field stripping is now complete.

The firearm is now fully field stripped and ready for cleaning.



Figure 22-1

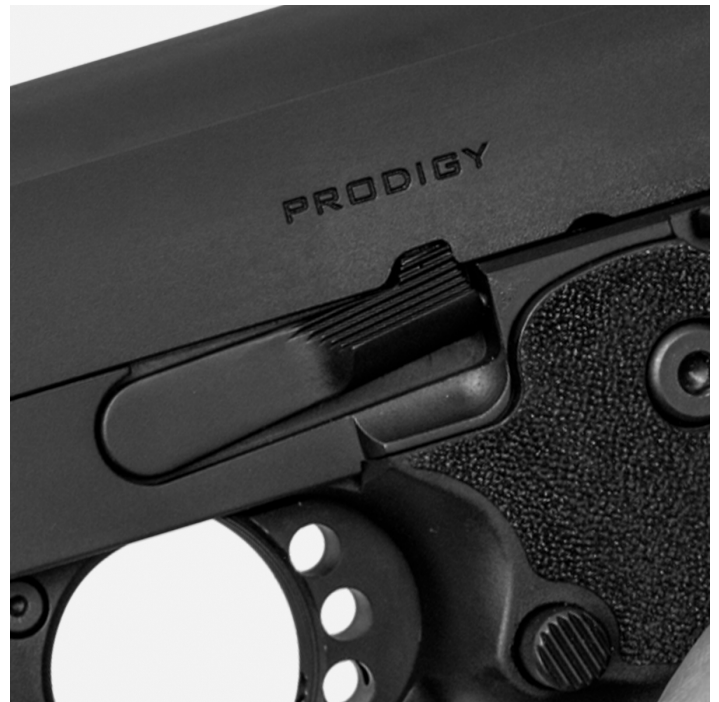


Figure 22-2



Figure 23-1



Figure 23-2



Figure 24-1



Figure 24-2



WARNING: Further dismantling is not necessary and should only be done by Springfield, Inc. or a qualified gunsmith.

REASSEMBLY

NOTE: REASSEMBLY PROCEDURES ON THE 1911 DS ARE THE SAME REGARDLESS OF CALIBER.

1. Install barrel into slide from front keeping barrel lug vertical (Figure 26-1).

2. Install reverse plug into recoil spring tunnel of the slide.

3. Install recoil spring on guide rod head and carefully insert the other end of the spring into the spring plug and compress the recoil spring until the guide rod head can be oriented as in (Figure 26-2) while maintain control of the spring. **Caution: Recoil spring will be under tension, take precautions and wear proper eye protection.**

4. Carefully install the guide rod into the front of the spring plug (Figure 26-3) and guide through the center of the recoil spring and finally thread the rod into the guide rod head . Use a 5/32 socket wrench if you choose but do not tighten the rod to the head at this time . Make sure the guide rod head is still correctly oriented (Figure 26-4).

5. Install the slide assembly on the frame until spring pressure is encountered . If interference is encountered, remove the slide assembly and make sure the barrel is properly seated and the recoil system is properly aligned.

6. Firmly grasp the slide and retract rearward until the disassembly notch in the slide is in the proper assembly position (Figure 27-1) , at this point spring resistance will be encountered so maintain control.

7. Install the slide stop pin into the receiver and through the barrel link (Figure 27-2), if needed use a soft tool such as a toothpick to compress the slide stop plunger and complete the installation.

8. Retract the slide and lock it to the rear buy lifting the slide stop and engaging the notch in the slide (Figure 27-3).

9. Using the 5/32 socket wrench tighten the guide rod with moderate force. Reassembly is now complete.



Figure 26-1



Figure 26-2



Figure 26-3



Figure 26-4



Figure 27-1



Figure 27-2



Figure 27-3



CAUTION: Never allow live ammunition in the area while you are maintaining your firearm.

MAGAZINE DISASSEMBLY

DISASSEMBLY AND CLEANING PROCEDURES FOR THE 1911 DS 9MM MAGAZINES.

Disassembly of the 1911 DS magazine is accomplished by depressing the exposed protrusion of the magazine locking plate that is visible through the bottom surface of the magazine base (Figure 30-1). While depressing the locking plate protrusion carefully slide the magazine base forward (Figure 30-2).

NOTE: There is considerable spring pressure bearing on the magazine base.

Control the magazine spring as the base is removed (Figure 30-3). The magazine can now be fully disassembled (Figure 30-4).

NOTE: MAKE NOTE OF MAGAZINE SPRING ORIENTATION.



Figure 30-1



Figure 30-2



Figure 30-3



Figure 30-4



WARNING: The magazine spring, follower, and inner floor plate are under spring tension, and can cause eye injury if not controlled during removal. Wear protective safety glasses to reduce the risk of eye injuries. Be sure to maintain downward pressure on the magazine spring, with your thumb, while disassembling.



WARNING: Always wear eye and ear protection when using any firearm.

MAGAZINE REASSEMBLY

REASSEMBLY AND CLEANING PROCEDURES FOR THE 1911 DS 9MM MAGAZINES.

Orient and reassemble the components as illustrated in Figure 31-1. Depress the magazine locking plate and slide the magazine base home until the magazine locking plate “snaps” into place in the base securing the magazine base (Figure 31-2).

NOTE: MAKE SURE MAGAZINE SPRING IS FACING THE CORRECT DIRECTION.



Figure 31-1



Figure 31-2



Figure 31-3



WARNING: The magazine spring, follower, and inner floor plate are under spring tension, and can cause eye injury if not controlled during removal. Wear protective safety glasses to reduce the risk of eye injuries. Be sure to maintain downward pressure on the magazine spring, with your thumb, while disassembling.



WARNING: Always wear eye and ear protection when using any firearm.

SPRINGFIELD ARMORY
Workbench

1911DS

FIELD STRIP & MAINTENANCE

CARE & CLEANING

KEEP YOUR GUN CLEAN AT ALL TIMES

Basic materials needed:

- Cleaning rod of proper size with bristle bore brushes (fiber or brass) and tip into which cleaning patch can be inserted.

- Cloth patches

- Powder solvent

- Lubricating oil

- Small lint-free cloths for wiping and oiling

- Bristle brush for scrubbing dirt off breech face, extractor, magazine lips, follower, etc.

Use proper size bore brushes and patches - if they are too small they won't do the job, and if they are too large they will bind inside bore.

When possible, insert cleaning rod from chamber end of barrel and push rod all the way through so it emerges from muzzle.

Do not "reverse" rod direction when patch or brush is in barrel, it might bind.

Do not use patches dripping with solvent or oil. Wet patches or brushes, then squeeze out excess before using.

When using bore brushes or a larger bristle brush on breech face, breech areas, magazines, etc., work carefully to prevent damaging components. **NOTE: Only a very small amount of oil is needed to adequately lubricate moving parts and prevent rust. Accumulation of oil tends to attract dust and dirt which interferes with the safe and reliable functioning of firearm. DO NOT APPLY EXCESS LUBRICATING OIL. DO NOT APPLY OIL OR GREASE TO STRIKER.**



WARNING: Wear eye protection when using solvent. Thoroughly wash your hands to remove powder and solvents after cleaning your firearm.

CLEANING FIREARM

1. Point firearm in safe direction.

2. Remove magazine and empty chamber.

3. Separate cartridges from firearm before cleaning operation.

4. Open slide and visually check that chamber and magazine well are free of cartridges.

5. Disassemble firearm as described in the [Disassembly Section](#).

6. Using cleaning rod, run solvent-wetted patch through barrel several times.

7. Attach solvent-wetted bristle brush to rod and run back and forth full length of barrel as needed until clean of residue.

8. Clean barrel with dry patches and examine it . If necessary, repeat barrel scrubbing . Barrel fouling can contribute to reduced accuracy, and residue accumulation in the chamber can interfere with proper feeding of cartridges from magazine.

9. Using powder solvent on a clean patch, remove powder residue from all components of mechanism. If residue cannot be removed by wiping with patch, use solvent-wetted bristle brush.

10. Next, wipe scrubbed areas with solvent-wetted patch.

11. After cleaning, run dry patch through barrel, then follow with lightly oiled patch.

-
12. Wipe all surfaces clean with cloth, then wipe all surfaces with lightly oiled patch (or cloth).

 13. Reassemble firearm. Remember, an improperly assembled firearm is dangerous and should not be fired. Always consult a qualified pistolsmith if you experience any difficulty or have any questions concerning assembly procedure.

 14. If firearm is to be stored for an extended period, final oil applications can be heavier so there will be less tendency for it to evaporate.

 15. Keep your firearm clean at all times

CABLE LOCK

This cable lock is supplied as an aid to your security measures. Store key separately away from lock and out of reach of children. Springfield Armory® firearm boxes are also designed for an exterior lock. (Not Included)

1. Point gun in safe direction while keeping your finger off the trigger.

2. Press magazine release and remove magazine.

3. Pull slide fully to the rear and lock open.

4. Check to see that no cartridge is in the chamber.

5. Insert cable through the ejection port and out magazine well.

6. Lock cable into cable lock (Figure 37-1).

7. Grasp slide and ease forward



Figure 41-1



CAUTION: Guns should always be locked and stored in complete compliance with all applicable laws and regulations.