

HenryUSA™

# Henry Revolver

.22LR, .22MAG (H016) - .38 SPL / .357 MAG (H017)

*Instruction Manual for All H016 and H017 Revolvers*



**Important:**

Study this instruction manual carefully before you handle this firearm.



# HENRY®

**Made In America, Or Not Made At All**



Henry Repeating Arms Company  
59 East 1st Street  
Bayonne, NJ 07002

Phone: 201.858.4400  
Web: [www.henryusa.com/contact](http://www.henryusa.com/contact)

If you have any questions or comments regarding your new Henry firearm, please feel free to write or call us.

Use the space below to record information about your new firearm.

Serial Number\* \_\_\_\_\_

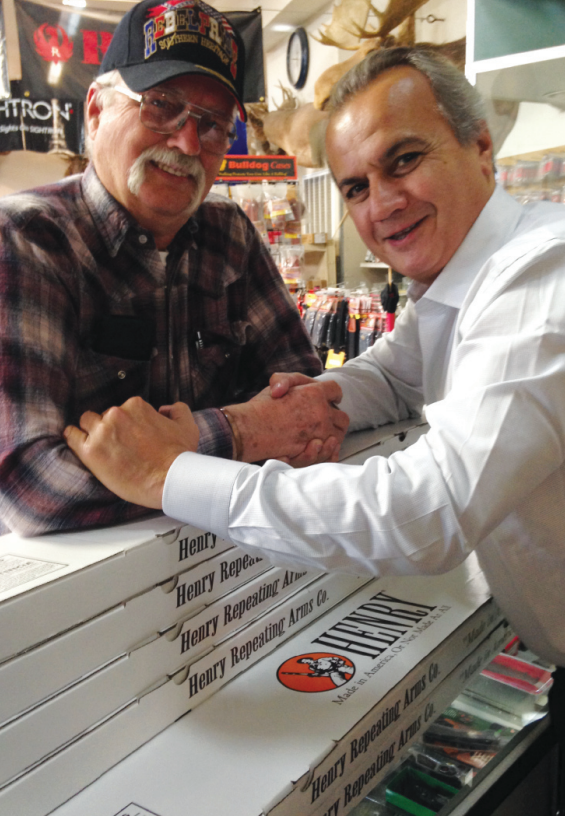
Caliber \_\_\_\_\_

Purchase Price \_\_\_\_\_

Purchased From \_\_\_\_\_

Date of Purchase \_\_\_\_\_

\*The serial number is located on the side of frame. Record this number in this manual for future reference.



# HENRY<sup>®</sup>

  
Made In America,  
Or Not Made At All

## THE HENRY GUARANTEE

Thank you very much for spending your hard earned money to purchase a Henry. I certainly appreciate it and welcome you to the Henry family. As an owner of a Henry, you are backed by our lifetime warranty and my personal guarantee for 100% satisfaction. I will do what it takes to make certain you are happy with your purchase.

Sincerely,

*Anthony Imperato*

Henry Repeating Arms

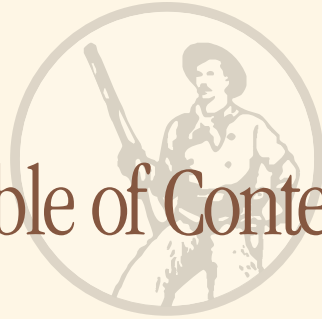
Telephone: 201.858.4400

Web: [www.henryusa.com](http://www.henryusa.com)

*We are confident that you'll enjoy and be proud to own any of our Henry firearms, well known for their reliability, accuracy, handsome looks and smooth action.*

*Our goal has and always will be to manufacture a line of classic, well-crafted firearms that every enthusiast would find readily affordable.*

*We take great pride in manufacturing our firearms in the United States, hence our corporate motto "Made in America, or Not Made at All".*



# Table of Contents

Warranty . . . . .	<b>5</b>	Maintenance Before Use . . . . .	<b>13</b>	<b>Cleaning, Maintenance &amp; Storage</b>	
Gun Safety and Handling . . . . .	<b>6</b>	Load And Unload Your Henry . . . . .	<b>13</b>	How To Clean Your Henry . . . . .	<b>19</b>
Terminology and Specs . . . . .	<b>8</b>	How To Operate Your Henry . . . . .	<b>14</b>	Maintenance Before Storage . . . . .	<b>20</b>
Ammunition . . . . .	<b>10</b>	How To Unload Your Henry . . . . .	<b>14</b>	Storage Safety . . . . .	<b>21</b>
Shooting Cautions . . . . .	<b>11</b>	How To Adjust Your Sights . . . . .	<b>15</b>	<b>Parts</b> . . . . .	<b>23</b>
<b>Operating Instructions</b>		Malfunction . . . . .	<b>16</b>	Service and Repair . . . . .	<b>26</b>
How To Use the Safety . . . . .	<b>12</b>				

## **SIMPLE LIMITED LIFETIME WARRANTY ON ALL HENRY FIREARMS**

It is our promise to you that as long as you own your Henry firearm, it will be free from defects in material and workmanship from the manufacturer. If you have a problem with your Henry firearm, we will fix it at no charge to you. Henry Repeating Arms shall repair, send replacement parts or replace the firearm with a valid warranty claim. If a complete replacement is necessary, the original firearm will not be returned. Henry RAC will provide repairs or replacement at no charge, but will not offer cash, credit, or refund.

**WE RESERVE THE RIGHT TO REFUSE SERVICE ON FIREARMS THAT HAVE BEEN ALTERED, ADDED TO, OR SUBSTANTIALLY CHANGED.**

Removal of metal from the barrel, or modifications of the firing mechanism and/or operating parts, may lead to a refusal of service on such firearms. There will be a charge for parts and labor to return the firearm to original specifications.

**DO NOT, UNDER ANY CIRCUMSTANCES, ALTER THE TRIGGER, "SAFETY" OR OTHER PARTS OF FIRING MECHANISM OF THIS OR**

**ANY OTHER FIREARM. FAILURE TO OBEY THIS WARNING MAY RESULT IN INJURY OR DEATH.**

**NOTICE:** Henry RAC shall not be responsible for injury, death, or damage to property resulting from either intentional or accidental discharge of this firearm, or from its function when used for purposes or subjected to treatment for which it is not designed.

Whether or not you are experienced in the safe handling of firearms, we urge you to read this entire instruction manual carefully. You must follow the safety instructions for your safety and the safety of others. Should you have any questions concerning the instructions in this manual, please call us at 201-858-4400.

**WARNING:** If you have little or no experience in the safe handling and operation of a firearm, we strongly urge you to take a firearms safety course from an NRA Certified Instructor or someone with equivalent qualifications before using this or any other firearm. You can contact the NRA Firearms Education and Safety Division at 703-267-1470 for the name of an instructor in your area, or contact your firearms dealer, law enforcement agency or local sportsman's club for training.

## GENERAL GUN SAFETY HANDLING

Apply the following safety rules in every situation, with any kind of firearm:

### ALWAYS TREAT EVERY FIREARM AS IF IT IS LOADED AND WILL FIRE.

Do not take anyone's word that the firearm is unloaded - always check for yourself. Never pass your firearm to another person until the cylinder or action is open and you visually check that it is unloaded. Keep your firearm unloaded and safely stored when not in use.

### ALWAYS BE SURE OF YOUR TARGET AND WHAT IS BEYOND.

A bullet could travel through or past your target for up to 1½ miles. Always be sure your backstop is adequate to stop and contain bullets before beginning target practice so that you do not hit anything outside the range shooting area. If in doubt, don't shoot! Do not fire randomly into the sky.

### NEVER SHOOT ACROSS A HIGHWAY OR ANOTHER ROADWAY.

### ALWAYS POINT YOUR FIREARM IN A SAFE DIRECTION. NEVER point

a firearm at anyone or anything you do not intend to shoot whether or not it is loaded. This is particularly important when loading, unloading, or field stripping the firearm. ALWAYS control the direction of the firearm; if it fires accidentally, injury, death, or damage to property can be avoided.

### NEVER PLACE YOUR FINGER INSIDE THE TRIGGER GUARD OR ON THE TRIGGER UNLESS YOU INTEND TO FIRE.

You should also take care to ensure that other objects do not touch the trigger.

### NEVER USE ALCOHOL OR DRUGS BEFORE OR WHILE SHOOTING.

Your vision, motor skills and judgment could be dangerously impaired, making your gun handling unsafe to you and to others. Further, do not use your firearm if you are on any medication which impairs, even slightly, your mental or physical ability.

### ALWAYS SEEK A DOCTOR'S ADVICE IF YOU ARE TAKING MEDICATION.

Be sure you are fit to shoot and handle your firearm safely.

### NEVER SHOOT AT A HARD SURFACE SUCH AS A ROCK OR A LIQUID

**SURFACE SUCH AS WATER.** A bullet may ricochet and travel in any direction to strike you or an object you cannot see, causing injury, death or damage to property.

**NEVER DISCHARGE A FIREARM NEAR FLAMMABLE MATERIAL.** Flame and sparks erupt from the firearm when discharged. They could start a fire or cause flammable liquids to explode.

**ALWAYS BE AWARE OF POSSIBLE RISK FROM DROPPING YOUR FIREARM.** Some parts of the mechanism could be damaged. You may not see the damage, but it could be severe. The firearm may discharge and cause injury, death, or damage to property. If your firearm has been dropped, have it examined by a competent gunsmith before using it again.

**ALWAYS KEEP AND CARRY YOUR FIREARM EMPTY WITH THE HAMMER IN THE "SAFE" POSITION** except when you intend to shoot, so that your firearm cannot be fired when you do not intend to fire it.

**NEVER CROSS OBSTACLES SUCH AS FENCES OR STREAMS WITH A LOADED FIREARM.** Always make certain your firearm is unloaded

before crossing a fence, climbing a tree, jumping a ditch or approaching other obstacles.

**NEVER TRANSPORT A LOADED FIREARM.** Keep all firearms unloaded during transport, even when stored in a holster, gun case, scabbard or other container.

**NEVER WALK, CLIMB, OR FOLLOW A COMPANION WITH YOUR FIREARM COCKED AND READY TO FIRE.** When hunting, hold your firearm so that you can always control the direction of the muzzle.

**NEVER LEAVE A LOADED FIREARM UNATTENDED.** Someone, especially a child, may fire it and cause injury, death, or damage to property.

**ALWAYS INSTRUCT CHILDREN AND NON SHOOTERS TO RESPECT FIREARMS.** If you teach your children to shoot or get them trained by a qualified instructor, be certain they know how to use the firearm properly and always supervise them closely. Always stress safety so that your children or others will not fire a rifle when or where it is unsafe to do so.

## TERMINOLOGY AND DESCRIPTIONS

Congratulations on your purchase of a Henry Revolver.

Our Henry Revolvers meld classic western looks with modern performance. They're designed to handle many years of shooting full pressure commercial loads, while looking good doing it.

## SPECS (varies depending on model)

### Action Type

Revolver

### Caliber

.22 LR, .22WMR (H016)  
.357 Mag/.38 Spl (H017)

### Capacity

10 Rounds Rimfire  
6 Rounds Centerfire

### Barrel Length

4"

### Barrel Type

Round Blued Steel

### Rate of Twist

H016 (22 LR)- 1:16"  
H016M (22WMR)- 1:14"  
H017M (357)- 1:16"

### Overall Length

Birdshead 9"  
Gunfighter 9.5"

### Weight

H016 - Birdshead - 36 oz  
Gunfighter - 37 oz

H017 - Birdshead - 34 oz  
Gunfighter - 35 oz

### Frame Material

Steel

### Frame Finish

Blued Steel  
Brass

### Rear Sight

None/Fixed Groove

### Front Sight

Post Sight Blade

### Scopeability

None

### Stock

Grips

### Stock Style

American Walnut Grips

### Safety

Transfer Bar

### Handing

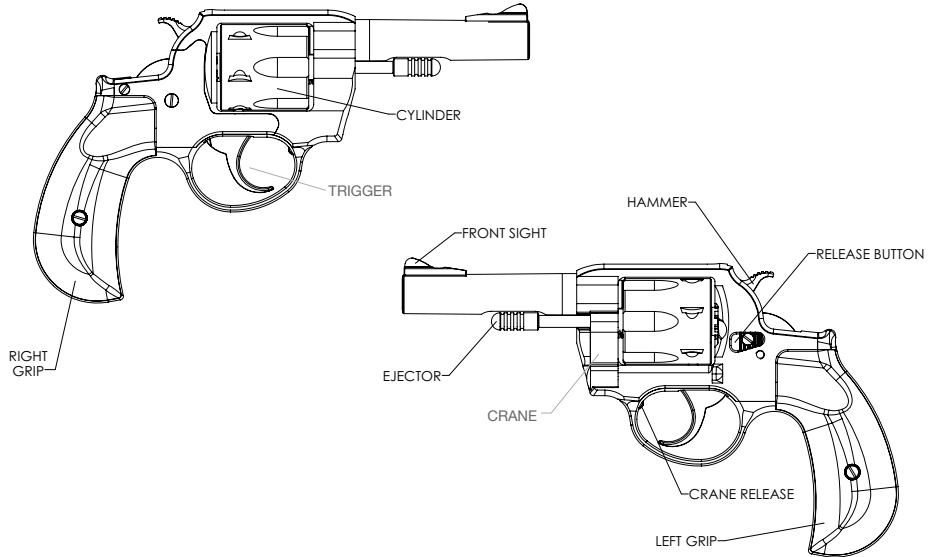
R (Loading/Unloading)

### Best Uses

Target/Hunting/Small Game



# HENRY REVOLVER .22LR , .22MAG (H016) - 38 SPL / 357 MAG (H017)



## AMMUNITION

ONLY USE DESIGNATED AMMUNITION FOR EACH MODEL.

**.22 LR** holds 10 rounds of .22LR, .22S, or .22L.

**.22 MAG** holds 10 rounds.

**.357 MAG/.38 SPL** holds 6 rounds of .38SPL or .357 MAG.

**WARNING:** YOU CANNOT USE .22 MAGNUM ROUNDS IN A .22 LR OR VICE VERSA.

## AMMUNITION SELECTION

ALWAYS USE THE CORRECT AMMUNITION FOR YOUR PARTICULAR FIREARM. Henry Repeating Arms Firearms are designed to function with a variety of brands and types of factory manufactured ammunition in the appropriate caliber, but not all ammunition produces the same result. Be sure the only ammunition you carry correctly matches the gauge or caliber you are shooting. Never use non-standard, reloaded, or "hand-loaded" ammunition which has not been subjected to internal ballistic pressure testing. Henry RAC recommends that after you read and understand this manual, you go to the range and fire different ammunition which is appropriate to the caliber of your firearm. Once you find the ammunition which functions best, keep using it.

## RANGE AND SHOOTING CAUTIONS

**ALWAYS DESIGNATE A KNOWLEDGEABLE AND RESPONSIBLE PERSON TO BE IN CHARGE TO MAINTAIN SAFETY CONTROL WHEN A GROUP IS FIRING ON A RANGE.** Obey their commands so that discipline is maintained to reduce the possibility of accidents.

**ALWAYS CARRY YOUR FIREARM EMPTY WITH THE ACTION OPEN WHILE ON A RANGE** until preparing to fire and keep it pointing towards the backstop when loading, firing, and unloading to eliminate the risk of injury, death or damage to property.

**ALWAYS KEEP THE HAMMER IN THE UNCOCKED POSITION UNTIL YOU ARE READY TO FIRE.** This will minimize the risk of an accidental discharge.

**ALWAYS WEAR EYE AND EAR PROTECTION SPECIFIED FOR USE WITH FIREARMS.** Flying particles could damage eyes and cause blindness. Without ear protection, the noise of even one shot from your rifle and from other guns close to you could leave a "ringing" in the ears for some time after firing and the cumulative long term effect could be permanent hearing loss. Make sure others in the vicinity of where you are shooting are doing so as well.

**NEVER PUT YOUR FINGER INSIDE THE TRIGGER GUARD UNTIL YOU ARE AIMING AT A TARGET AND READY TO SHOOT.** This will prevent you from firing the firearm when it is pointing in an unsafe direction.

**NEVER JOKE AROUND OR ENGAGE IN "HORSEPLAY" WHILE HANDLING YOUR FIREARM.** Doing so could cause an accidental discharge.

## TRANSFER BAR **SAFETY**

Your Henry Revolver features a transfer-bar safety which prevents the hammer from contacting the firing pin unless the trigger is fully depressed. With the trigger depressed, the safety is not engaged and the revolver will fire if the hammer falls. The system is not dependent on speed and will engage automatically between cycling whenever the hammer is not fully cocked and regardless of how fast the trigger is pulled. When the trigger is not depressed, the transfer bar is automatically disengaged and the revolver is drop safe, however, there is no trigger lock. The transfer bar is connected to the trigger. Anytime the trigger is pressed to the rear, the transfer bar is in position to allow the hammer to contact the firing pin, regardless of the hammer position. Squeezing the trigger fully to the rear in double action mode will cycle the action to automatically cock, then drop the hammer, causing a round to discharge if the firearm is loaded. If you do not have a complete understanding of these instructions, please call us at (866) 200-2354 and ask for technical support.

## MAINTENANCE BEFORE USE

Before using your firearm for the first time, it should be cleaned. (See the cleaning instructions.) Your firearm was treated at the factory with either a preservative or oil to protect it against corrosion during shipping and storage. Preservative and oil should be wiped from the bore, chambers and exposed areas using a clean swab or patch before using the firearm.

Purchase cleaning supplies that are specifically designated for your type and caliber of firearm. Many suppliers offer these in kit form for your convenience. Follow the instructions provided. Whenever your firearm has been exposed to sand, dust, extreme humidity, water or other adverse conditions, it should be cleaned and lubricated.

Caliber specific handgun cleaning kits can be found at [www.henrypride.com](http://www.henrypride.com), under 'cleaning'.

## LOADING AND UNLOADING YOUR HENRY REVOLVER

### LOADING:

Keep the muzzle pointed in a safe direction while performing the steps below and always assume a loaded firearm.

Note the hammer must be in the down (Safe) position for the cylinder to release.

The following technique can be used by right, or left, handed shooters except that left hand dominant shooters will have the added step of transferring the revolver to and from their right support hand when loading or unloading.

Grip the revolver firmly in your right hand with the muzzle pointed in a safe direction. Support its weight with your left palm cradling the right side of the revolver. The trigger guard is further protected and secured when held in this position.



Push the cylinder release button forward with your right thumb while using your left middle and ring fingers to push the cylinder open from the right side. The cylinder will open to the left and be retained by the crane.



To load after completing the sequence above, continue holding the revolver in the manner described and use your right hand to manually load each chamber. Practice rotating the cylinder with your left thumb to present an empty chamber for loading.

When loaded, hold the grip with the right hand and use your left hand to push the cylinder closed (to the right) while keeping the muzzle pointed in a safe direction.

### **UNLOADING:**

Maintain the left hand middle and ring finger contact on the cylinder, then use your left thumb to push the tip of the ejector rod to the rear, thus emptying the chambers of any fired, or unfired, cases if the cylinder was loaded previously.

Visual inspection will clearly show the chambers loaded or unloaded, condition but note that fired cases are not automatically ejected from this action type.

It is therefore critical to verify the fired or unfired condition of any cases remaining in the chambers.

If the firing session is completed, visually inspect the chambers once again to verify an empty firearm prior to storing.

## **HOW TO OPERATE**

**CAUTION: HANDS AND OBJECTS MUST REMAIN CLEAR OF THE CYLINDER FACE AS HIGH-PRESSURE, HIGH TEMPERATURE GASES ARE EXPELLED FROM THE CYLINDER GAP DURING OPERATION.**



### **SINGLE ACTION MODE:**

With your revolver pointed at the intended target, cock the hammer with your support hand thumb and when a clear sight picture is acquired, squeeze the trigger to fire.

Repeat until the desired number of cartridges have been fired and note the cylinder will rotate(counter-clockwise) to the next chamber each time the hammer is cocked. It's good practice to count shots fired, compared with the number loaded, but still assume a loaded firearm until it can be opened and cleared.

### **DOUBLE ACTION MODE:**

The firing sequence is the same as above except that the hammer is not manually cocked. Instead, once a clear sight picture has been acquired, the trigger is squeezed fully to the rear which will automatically rotate the cylinder and cock the hammer, then drop it on each newly presented chamber.

Although generally faster, you'll realize a much longer and heavier trigger pull when firing in this mode. This is normal as the hammer was not pre-cocked to load the spring prior to beginning its travel.

## **SIGHTS AND SIGHT ADJUSTMENTS**

Your Henry Revolver includes two additional front sight blades which allow the shooter to adjust elevation to the various loads they may be shooting.

Their heights are listed in the chart below and note that 61L(Low) and 61H(High) will be found in the foam cut out of your revolver's packaging. The sights' bases are marked for identification and your revolver will have shipped from the factory with the 61M(Medium) height sight installed.

They can be easily swapped via the flathead screw(slotted Grace # 3) located on top of the front sight assembly.

If your group is impacting above the target, swap the factory 61M sight for 61H.

If your point of impact is low on the target, swap the factory 61M sight for 61L.

H16-61L - .200"

H16-61M - .225"

H16-61H - .250"

H17-61L - .277"

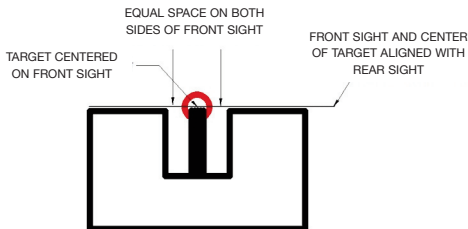
H17-61M - .302"

H17-61H - .327"

This revolver's rear sight is not windage(left/right) adjustable but rather, a fixed groove.

The correct sight picture is achieved by centering the front sight blade in the rear sight groove and holding the top of the blade level with the top of the frame.

Use the center hold to get your bullet to strike the target at point of aim.



## MALFUNCTION AND TROUBLESHOOTING

**NEVER USE YOUR FIREARM IF IT FAILS TO FUNCTION PROPERLY, AND NEVER FORCE A JAMMED ACTION.** Forcing the action could make the round explode, causing serious injury, possible death, or severe damage to your firearm or other property.

**FAILURE TO FIRE.** A misfire occurs when the firing pin strikes the primer and it does not fire. **IF THE FIREARM FAILS TO FIRE DO NOT PUT IT DOWN OR OPEN THE ACTION. ALWAYS HOLD THE FIREARM, KEEPING IT POINTED IN A SAFE DIRECTION AND WAIT 30 SECONDS. IF A HANGFIRE (SLOW IGNITION) HAS OCCURRED, THE ROUND WILL FIRE WITHIN 30 SECONDS.**

If the round does not fire, remove the ammunition, eject the round and examine the shell. If the firing pin indent on the primer is light or non-existent, have the firearm examined by a competent gunsmith before firing again. If the firing pin indent on the primer appears normal (in comparison with similar previously fired rounds) assume



you have faulty ammunition. Segregate the misfired round from other live ammunition and empty cases, reload, and carry on firing.

## FIELD STRIP

With the hammer down, finger outside of the trigger guard and muzzle pointed in a safe direction, push the cylinder release button forward to allow the cylinder to swing out to the left side of the frame.



Next, press the crane release button located inside the trigger guard to remove the crane and cylinder assemblies together by grasping the cylinder and pulling out of the frame, toward the muzzle, then set aside.



With the frame resting on a padded surface, remove the grip screws(L/R). Use a popsicle stick or similar

nonmarring object to find the “lip” of the grip panels to pop them off.

This is as far as your Henry Revolver can be taken down.



**WE SUGGEST THAT YOU USE A MILD SOLVENT FROM A WELL-KNOWN BRAND. FOR CONVENIENCE, COMPATIBLE CLEANING SOLVENTS ARE AVAILABLE ON [WWW.HENRYPRIDE.COM](http://WWW.HENRYPRIDE.COM).**

Regular cleaning is important in order for your gun to operate efficiently and safely. Taking proper care of it will also maintain its value and extend its life.

**NOTICE!** DO NOT ATTEMPT TO TAKE YOUR FIREARM APART FURTHER THAN EXPLAINED IN THIS MANUAL. Your firearm is a specialized, finely fitted mechanism. You may permanently damage it by attempting to disassemble the inner mechanisms. If further disassembly for service or cleaning is required, take your firearm to a qualified gunsmith.

**IMPORTANT** - PLEASE NOTE THAT IT IS NOT NECESSARY TO TAKE YOUR HENRY APART TO KEEP IT CLEAN.

**IMPORTANT** - DO NOT USE AGGRESSIVE SOLVENTS.

Your gun should be cleaned every time it is used. A minimum cleaning includes wiping down the action and oiling key parts. Regular maintenance will also include cleaning the barrel.

For cleaning, we suggest that you first open and inspect the chambers and bore for brass, copper and powder fouling. A normal amount of powder residue can be expected and is not serious. It can usually be removed by the following procedure.



## **CLEANING, STORAGE AND MAINTENANCE**

### **CLEANING SAFETY PRECAUTIONS**

**WARNING:** BEFORE PERFORMING CLEANING PROCEDURES, MAKE SURE THE HAMMER IS IN THE FIRED-DOWN POSITION, WHICH ALLOWS YOUR SAFETY TO FUNCTION AS DESIGNED. OPEN THE ACTION AND MAKE CERTAIN YOUR FIREARM IS COMPLETELY UNLOADED. KEEP THE MUZZLE POINTED IN A SAFE DIRECTION. FAILURE TO FOLLOW THESE WARNINGS COULD RESULT IN SERIOUS INJURY OR DEATH.

KEEP ALL AMMUNITION AWAY FROM THE CLEANING AREA. NEVER TEST THE MECHANICAL FUNCTION OF YOUR REVOLVER WITH LIVE AMMUNITION. FAILURE TO FOLLOW THESE WARNINGS COULD RESULT IN SERIOUS INJURY OR DEATH.

**NOTICE!** It is very important that the bore of your revolver be cleaned thoroughly and promptly after shooting. Do not leave discharged (empty) cases in the chambers for any length of time, as the chemical composition of many cartridges contain moisture which can “sweat” out of the shell and onto the chambers’ surfaces, and possibly cause corrosion and rust.

## HOW TO CLEAN YOUR HENRY REVOLVER

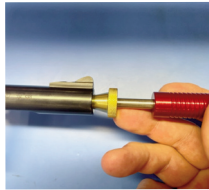
### CLEANING

Your Henry Revolver’s bore can now be cleaned from the muzzle end with a rod.

Be careful to avoid contact with the muzzle crown or forcing cone and use a rod with a bore guide.

The one shown is available for purchase here:  
<https://henrypride.com/collections/cleaning>.

You can also clean from the chamber end with a pull through kit, if preferred.



Each of the cylinder’s chambers should be brushed completely clean along with any visible carbon build up on the cylinder face using a good quality gun solvent.

**SPECIAL ATTENTION SHOULD BE PAID TO THE RECESS BENEATH THE EJECTOR STAR AS POWDER RESIDUE WILL ACCUMULATE THERE AND IN TIME, MAY PREVENT THE CYLINDER FROM ROTATING OR CLOSING.**

Access this area by pushing on the spring-loaded ejector rod to expose the recess. Brush, then wipe away any visible fouling.

Apply a thin film of light gun oil to all blued surfaces to protect against corrosion and brass finishes can be maintained with Flitz Metal Polish or our Henry Big Boy Metal Polish.

<https://henrypride.com/collections/cleaning>.

Wood grips can be wiped with furniture polish or a Henry Stock and Grip Cloth <https://henrypride.com/collections/cleaning>.



## LUBRICATION

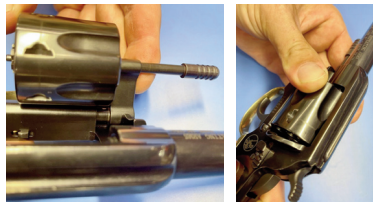
Over lubrication is a top cause of revolver malfunction. Excess oil will combine with lint or debris and harden around moving parts.

A single drop of light gun oil or CLP dropped into the inside frame slot above the trigger and another dripped down the hammer's face is sufficient.

## REASSEMBLY

Line the Left and Right grip panels up with the frame and holes, then turn the screws down hand-tight.

Push the crane home into the frame. It will click audibly when seated in place and push to close cylinder.



Your Henry Revolver is now reassembled and should be function tested by operating in single, and double, action mode.

## MAINTENANCE BEFORE STORAGE

When storing your firearm, do not encase it in anything that will attract or hold moisture, for example, leather or heavy cloth. Also, do not store firearms with a plug inserted in the barrel because this can be a contributing factor to moisture accumulation.

If your firearm is to be stored for an extended period, the bore, chamber and internal surfaces should be oiled with a high-quality lubricating oil or preservative intended for firearms. The external parts; receiver, bolt and barrel should be coated with an anti-rust oil.

Before using your firearm again, be sure to clean it. Every time you clean your firearm, check it for signs of wear. If wear is noted, do not use the firearm, have it checked by a qualified gunsmith.

Make sure your firearm is in good mechanical condition before firing it. Periodically have your firearm checked for signs of erosion, cracking, or wear by the factory or a factory certified gunsmith.

## **STORAGE** SAFETY AND PRECAUTIONS

**NEVER LOCK A LOADED FIREARM AND NEVER LOAD A LOCKED FIREARM!**

**ALWAYS CHECK TO MAKE SURE YOUR FIREARM IS NOT LOADED BEFORE CLEANING, STORING, TRANSPORTING IT, LAYING IT DOWN, OR HANDING IT TO ANOTHER PERSON** so that it cannot be fired when it is unsafe to do so.

**ALWAYS KEEP AND STORE YOUR FIREARM AND AMMUNITION IN SEPARATE, LOCKED LOCATIONS, OUT OF REACH AND SIGHT OF CHILDREN AND UNTRAINED PERSONS.** Safe and secure storage of your firearm and ammunition are your responsibility.

**NEVER LEAVE THE KEY TO THE LOCK FOR YOUR FIREARM WITH THE STORED FIREARM!**

**NEVER ASSUME THAT A "HIDING" PLACE IS A SECURE STORAGE METHOD.** Others may be aware of your storage location or come upon it by chance. It is your personal responsibility to use common

sense when storing your firearm and ammunition and to always make sure they are not accessible to children or other unauthorized persons.

**NOTE:** Do not store your firearm in an air-tight container, and do not seal or attempt to seal the barrel to exclude dust, as the internal steel surface is more likely to rust or corrode by doing this.

**BEWARE OF BARREL OBSTRUCTIONS.** Be sure the barrel is clear of obstructions before shooting. Mud, water, snow or other objects may inadvertently lodge in the barrel bore. A small obstruction can cause a dangerous increase in pressure and may damage your firearm and cause injury to yourself and others.

**BEFORE CHECKING FOR A BARREL OBSTRUCTION, BE CERTAIN YOUR FIREARM IS COMPLETELY UNLOADED.** After assuring yourself that the firearm is completely unloaded, open the action and look through the barrel to be sure it is clear of obstructions. If an obstruction is seen, no matter how small it may be, clean the bore with a cleaning cord or a patch as described in the **CLEANING** section of this owner's manual.

It is your responsibility to understand and follow all of the instructions in the safety manual that accompanied your firearm, as well as those which may be supplied with your ammunition and any accessory.

**NEVER DISASSEMBLE YOUR FIREARM BEYOND THE FIELD STRIPPING PROCEDURE OUTLINED IN THIS MANUAL.** Improper disassembly or reassembly of your firearm may be dangerous and can lead to serious injury or death.

**NEVER MANIPULATE, ADJUST OR CHANGE ANY OF THE INTERNAL COMPONENTS OF YOUR FIREARM UNLESS SPECIFICALLY INSTRUCTED TO DO SO IN THIS MANUAL.** Improper manipulation of any other internal component may affect the safety and reliability of your firearm and may cause serious injury or death.

**NEVER ALLOW ANY ALTERATION OR REPLACEMENT OF PARTS IN YOUR FIREARM UNLESS PERFORMED BY A QUALIFIED GUNSMITH USING AUTHORIZED PARTS.** If you do otherwise, improper functioning of your firearm may occur and serious injury or death and damage to property may result.



## GUN PARTS

An illustration and list of part names are included in this manual. Please note that not all parts are available for sale. Those parts which are available should be installed by a licensed gunsmith. When ordering parts, please give part name and part number.

**Important:** If you make unauthorized adjustments or use unauthorized parts, Henry Repeating Arms Company will not assume responsibility for the proper functioning of the firearm.

THIS GUN IS MANUFACTURED TO PERFORM PROPERLY WITH THE ORIGINAL PARTS AS DESIGNED. IT IS YOUR DUTY TO MAKE SURE ANY PARTS YOU BUY ARE INSTALLED CORRECTLY AND THAT NEITHER REPLACEMENTS NOR ORIGINALS ARE ALTERED OR CHANGED. THIS IS WHY WE SAY TAKE IT TO A LICENSED GUNSMITH STATION. YOUR GUN IS A COMPLEX TOOL WITH MANY PARTS THAT MUST RELATE CORRECTLY TO OTHER PARTS. PUTTING A GUN TOGETHER WRONG OR WITH MODIFIED PARTS CAN RESULT IN A DAMAGED GUN, DANGER, AND INJURY OR DEATH TO YOU AND OTHERS THROUGH MALFUNCTION. ALWAYS LET A QUALIFIED GUNSMITH WORK ON YOUR GUN AND CHECK ANY WORK YOU THINK WAS NOT PERFORMED BY A GUNSMITH.

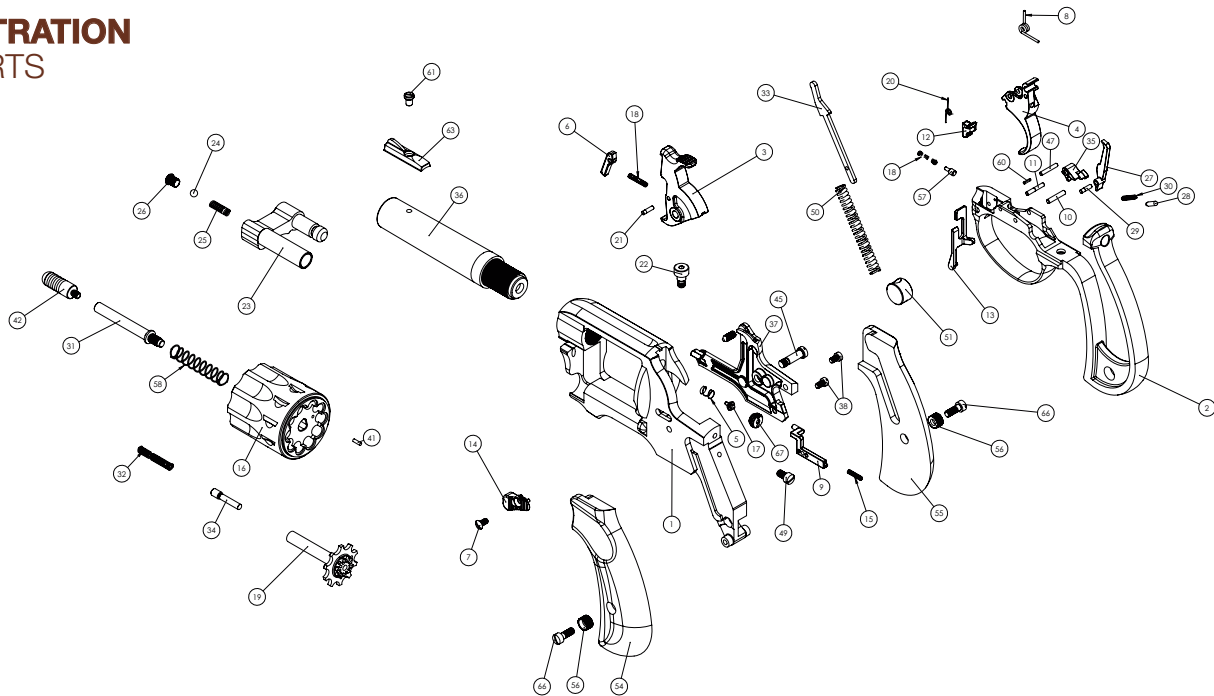
**⚠️ WARNING:** This product can expose you to chemicals including lead, which is known to the State of California to cause cancer and birth defects or other reproductive harm. For more information go to [www.P65Warnings.ca.gov/product](http://www.P65Warnings.ca.gov/product).

## H016-H017 LIST OF PARTS

<b>01</b>	Upper Frame	<b>16</b>	Cylinder	<b>31</b>	Ejector Rod	<b>54</b>	Grip Left
<b>02</b>	Lower Frame	<b>17</b>	Firing Pin	<b>32</b>	Trunnion Pin Spring	<b>55</b>	Grip Right
<b>03</b>	Hammer	<b>18</b>	Hammer Pawl Spring	<b>33</b>	Hammer Strut	<b>56</b>	Grip Escutcheon
<b>04</b>	Trigger	<b>19</b>	Ejector Star	<b>34</b>	Rear Trunnion Pin	<b>57</b>	Cylinder Stop Spring Plunger
<b>05</b>	Firing Pin Return Spring	<b>20</b>	Crane Release Spring	<b>35</b>	Cylinder Stop	<b>58</b>	Star Shaft Spring
<b>06</b>	Hammer Pawl	<b>21</b>	Hammer Pawl Pin	<b>36</b>	Barrel	<b>60</b>	Spring Retaining Pin
<b>07</b>	Button Screw	<b>22</b>	Frame Screw	<b>37</b>	Side Plate	<b>61</b>	Front Sight
<b>08</b>	Trigger Return Spring	<b>23</b>	Crane Body	<b>38</b>	Side Plate Screw	<b>63</b>	Front Sight Screw
<b>09</b>	Cylinder Release	<b>24</b>	5/32" Steel Ball	<b>41</b>	Star Locating Pin	<b>66</b>	Grip Screw
<b>10</b>	Trigger Pin	<b>25</b>	Crane Retaining Ball Screw	<b>42</b>	Rod End Nut	<b>67</b>	Firing Pin Retaining Housing
<b>11</b>	Cylinder Stop Pin	<b>26</b>	Retaining Ball Housing	<b>45</b>	Hammer Screw		
<b>12</b>	Crane Release	<b>27</b>	Hand	<b>47</b>	Release Pin		
<b>13</b>	Transfer Bar	<b>28</b>	Hand Plunger	<b>49</b>	Back Strap Screw		
<b>14</b>	Release Button	<b>29</b>	Trigger Hand Pin	<b>50</b>	Hammer Spring		
<b>15</b>	Cylinder Release Spring	<b>30</b>	Hand Spring	<b>51</b>	Hammer Spring Support		



# ILLUSTRATION OF PARTS



## SERVICING AND REPAIR

If you believe that your Henry firearm requires repair or adjustment, we suggest that you first contact our Customer Service by visiting the "Contact Us" page on our website, or by phone at 201.858.4400. It may be a problem that we can resolve by phone or by sending a replacement part. For international customers please visit the "Contact Us" page on our website for instructions.

In the unlikely event that your firearm requires adjustments or repair, please make certain that it is unloaded and send it to us at the following address:

HRAC

**Att: Repair Dept.**

107 W. Coleman Street  
Rice Lake, WI 54868

Enclose an explanation of the problem in as much detail as possible.

Make certain to include your complete name, address, phone number and serial number. Make sure your firearm is packaged to prevent it from being damaged. The package should be insured to protect against LOSS OR THEFT.

DO NOT INCLUDE "HENRY REPEATING ARMS" IN THE ADDRESS ON THE PACKAGE, IN ORDER TO PREVENT AN INQUISITIVE THIEF FROM BEING ATTRACTED TO IT BY SUCH INFORMATION.

YOU CAN USE THE ORIGINAL BOX FOR RETURN, HOWEVER, YOU SHOULD MAKE SURE IT IS WRAPPED IN A BROWN OR OTHER COLORED PAPER AS TO NOT INDICATE THAT THE BOX CONTAINS A FIREARM. THIS HELPS TO MAINTAIN THE CONFIDENTIALITY OF YOUR FIREARM TO ENSURE IT GETS BACK TO US SAFELY.

## NEW PRODUCTS FROM HENRY

Henry Repeating Arms Company will endeavor to introduce and manufacture other fine firearms, all made in America, of high quality and at affordable prices.

Telephone: **201-858-4400** • Fax: **201-858-4435**

Website: **[www.henryusa.com](http://www.henryusa.com)**



**HENRY**<sup>®</sup>



Made In America,  
Or Not Made At All

# History and Thank You



**Benjamin Tyler Henry.**

His invention: The Henry Rifle.

Thank you for purchasing your new Henry Firearm. We are proud to have crafted this firearm for you in the great tradition of the Henry Repeating Rifle which dates back to 1860 when the first effective, lever-action repeating rifle was developed by Benjamin Tyler Henry. The lever action is America's unique contribution to international firearms design; We go to great lengths to provide the highest quality of design and craftsmanship for each and every one of our American-Made firearms. You are now a part of the Henry family, and we are thankful to have your support. Your new rifle should provide you and your family with many years of safe enjoyment and pride of ownership.

It is imperative that these cautions and operating instructions be thoroughly studied and understood before using your new firearm, in order to ensure proper and safe gun handling. Failure to follow these cautions, warnings and operating instructions could result in damage to your gun or to other property or could result in injury or death to yourself or to others.

## Made in America



Made In America, Or Not Made At All

IS A REGISTERED TRADEMARK  
OF THE HENRY REPEATING ARMS COMPANY

TEL. **201.858.4400**

FAX. **201.858.4435**

WEBSITE. **www.henryusa.com**

FOR PARTS & ACCESSORIES PLEASE VISIT HENRY PRIDE: **www.henrypride.com**

### Warning:

**BEFORE USING FIREARM, READ AND FOLLOW THESE INSTRUCTIONS.**

If there is anything you do not understand,  
get help from someone qualified to teach the safe handling of firearms.

H16H17-300

9.22

## SOCIALIZE WITH HENRY AND HENRY OWNERS

Keep up to date with new inventions and products from Henry as well as meet other Henry owners around the country by joining the conversation and liking our social media accounts:



[www.facebook.com/henryrepeating](http://www.facebook.com/henryrepeating)



@Henry\_Rifles



@HenryRifles



[www.youtube.com/c/HenryriflesUSA](http://www.youtube.com/c/HenryriflesUSA)

Be the first to know about new products and events by subscribing to our e-mail list:  
[www.henryusa.com/maillinglist](http://www.henryusa.com/maillinglist)

## HENRY CUSTOMER PHOTOS

You may already be famous, but if not, we invite you to send a photo with your Henry for a possible website appearance to:  
[info@henryusa.com](mailto:info@henryusa.com)

## HENRY ACCESSORIES

Made in America, just like our rifles! Find apparel, slings, scope mounts, gun cases, display cases and more at [www.henrypride.com](http://www.henrypride.com)